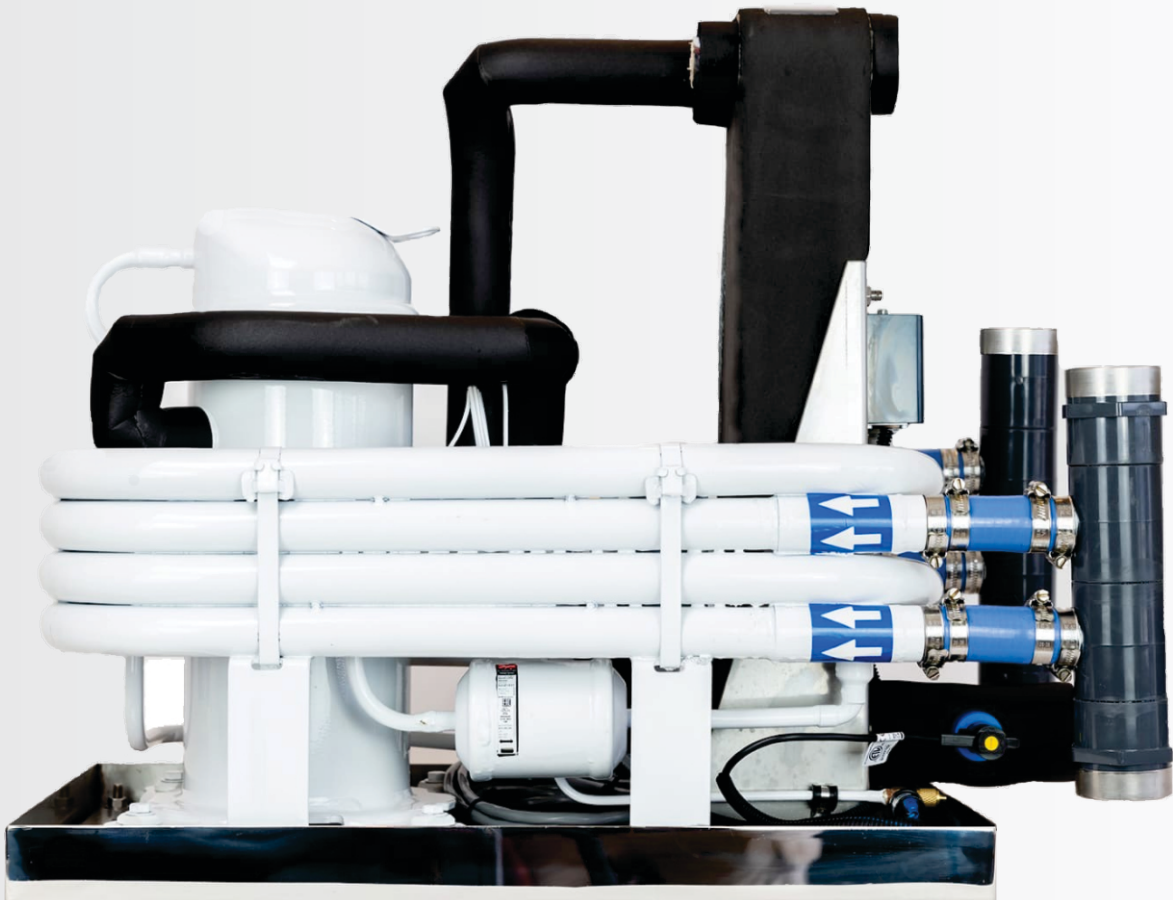


FLOW MARINE SYSTEMS

Titanium Marine Chillers



Model: **CHFM90H**



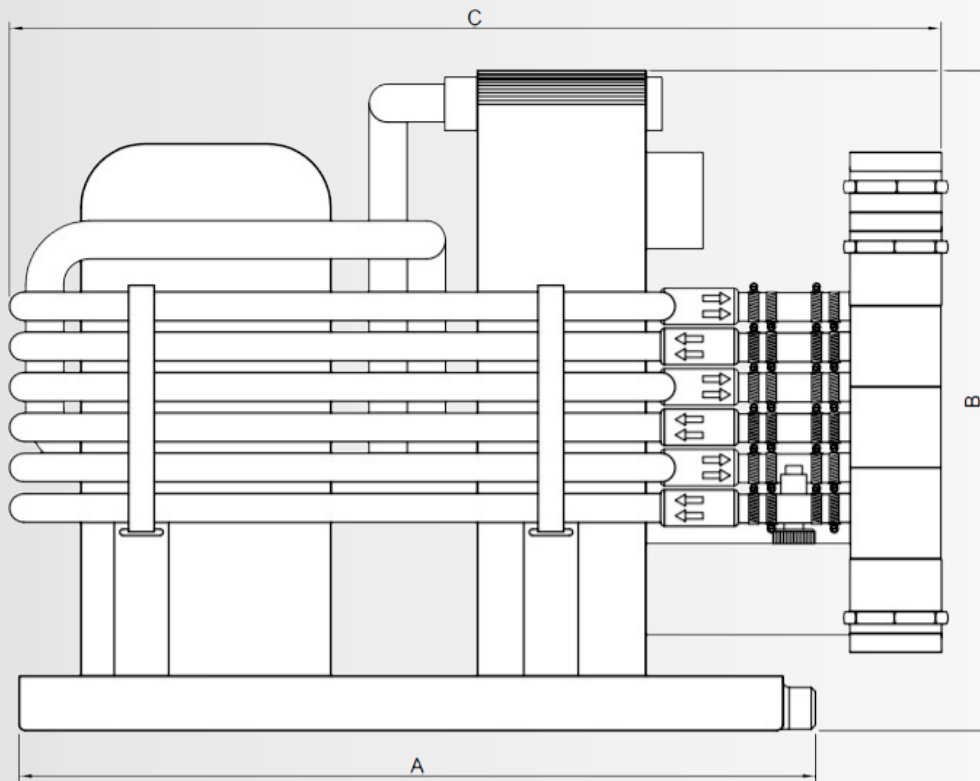
Model: CHF90H

**Flow Marine Systems chillers are built with capacities from 2 to 15 tons.
System can be ordered on all Voltages and frequencies.
Designed by technicians to eliminate ongoing industry's issues.**

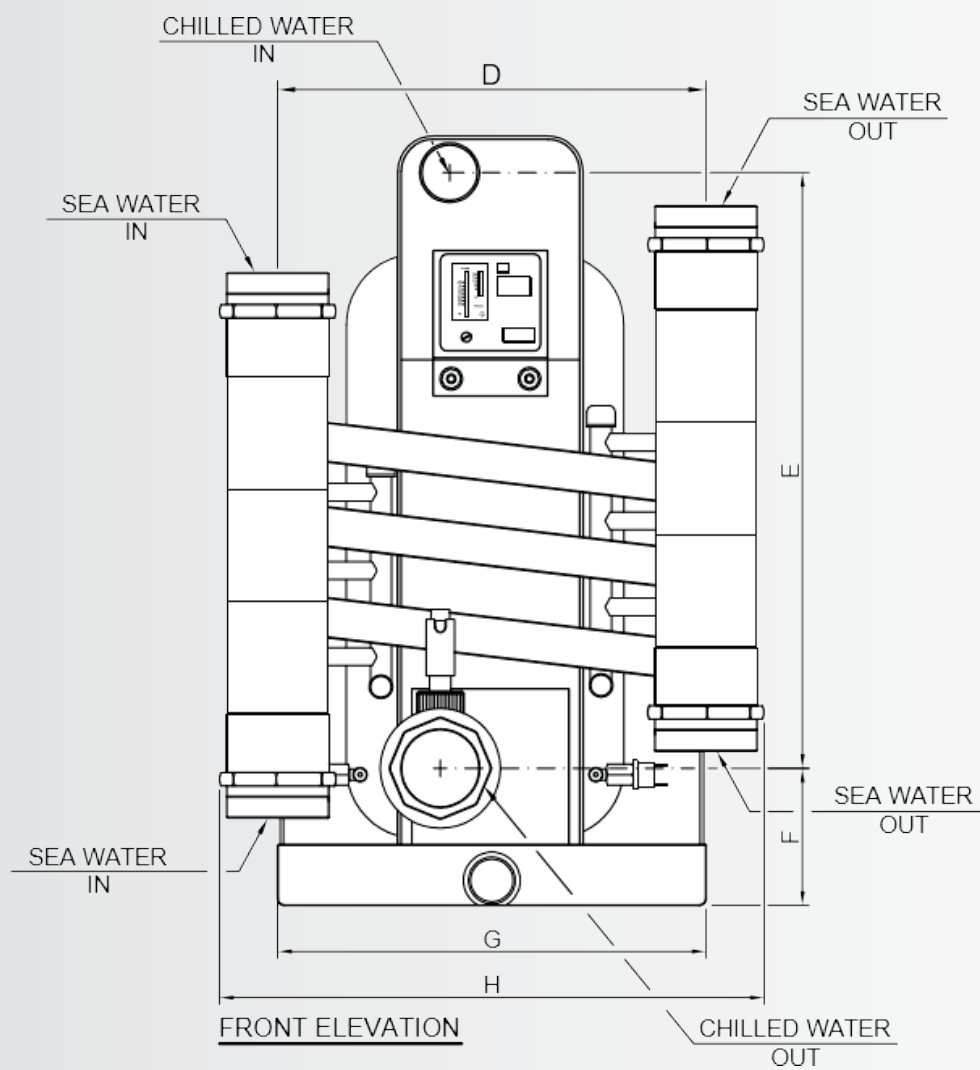
Why go with the Flow :

- **Stainless steel 316L chassis' and fasteners**
- **Danfoss compressors**
- **Welded TITANIUM condensers tube all finished with Awlgrip® coatings**
- **Easily accessible for Low and High pressure switches**
- **Easily accessible Mechanical Freeze stat**
- **Easily accessible Freon connections**
- **Plate sensor wells for in and out water sensors**
- **Dual inlet Seawater intake (in and out)**
- **Easily accessible Flow switch**

**2 YEARS
WARRANTY
PARTS AND
LABOR***



RIGHT ELEVATION



FRONT ELEVATION

Chiller Units Measurement Table

Chiller Model:	CHFM36H	CHFM48H	CHFM60H	CHFM72H	CHFM90H	CHFM120H	CHFM150H	CHFM180H
A	23 ¼" 590.55 mm	23 ¼" 590.55 mm	23 ¼" 590.55 mm	23 ¼" 590.55 mm	27 ¼" 692.15 mm	27 ¼" 692.15 mm	27 ¼" 692.15 mm	35 ¾" 908.05 mm
B	24" 609.6 mm	24" 609.6 mm	24" 609.6 mm	24" 609.6 mm	24 ⅛" 609.9 mm	24 ⅛" 609.9 mm	36" 914.4 mm	23" 584.2 mm
C	28" 711.2 mm	28" 711.2 mm	28" 711.2 mm	28" 711.2 mm	32 ¼" 819.15 mm	32 ¼" 819.15 mm	32 ¼" 819.15 mm	31" 787.4 mm
D	10 ¾" 273.05 mm	10 ¾" 273.05 mm	10 ¾" 273.05 mm	10 ¾" 273.05 mm	17 ⅝" 447.6 mm	17 ⅝" 447.6 mm	17" 447.6 mm	-
E	18 ¼" 463.55 mm	18 ¼" 463.55 mm	18 ¼" 463.55 mm	18 ¼" 463.55 mm	18 ¼" 633.55 mm	18 ¼" 633.55 mm	18 ¼" 633.55 mm	18 ½" 469.9 mm
F	4" 101.6 mm	4" 101.6 mm	4" 101.6 mm	4" 101.6 mm	4" 101.6 mm	4" 101.6 mm	8" 203.2 mm	3" 76.2 mm
G	12 ⅝" 320.6 mm	12 ⅝" 320.6 mm	13 ⅝" 320.6 mm	13 ⅝" 320.6 mm	17 ⅝" 447.6 mm	17 ⅝" 447.6 mm	17 " 447.6 mm	9 ¾" 247.65 mm
H	13 ⅝" 346.0 mm	13 ⅝" 346.0 mm	13 ⅝" 346.0 mm	13 ⅝" 346.0 mm	21" 533.4 mm	21" 533.4 mm	21" 533.4 mm	-
SEA WATER CONNECTIONS	1 ½ " 38.1 mm	1 ½ " 38.1 mm	1 ½ " 38.1 mm	1 ½ " 38.1 mm	2" 50.8 mm	2" 50.8 mm	2" 50.8 mm	2" 50.8 mm
CHILLED WATER CONNECTIONS	1 ½ " 31.75 mm	1 ½ " 31.75 mm	1 ½ " 31.75 mm	1 ½ " 31.75 mm	1 ½ " 31.75 mm	1 ½ " 31.75 mm	1 ½ " 31.75 mm	1 ½ " 31.75 mm

Chiller Specification Table

Chiller Model:	CHFM36H	CHFM48H	CHFM60H	CHFM72H	CHFM90H	CHFM120H	CHFM150H	CHFM180H
Volts	208 - 230V 220V	208 - 230V 220V	208 - 230V 220V	208 - 230V 220V	208 - 230V 220V	208 - 230V 220V	208 - 230V 220V	208 - 230V 220V
Nom. Capacity BTUH	36.000	48.000	60.000	72.000	90.000	120.000	150.000	180.000
Hz	50/60	50/60	50/60	50/60	50/60	50/60	50/60	50/60
Nominal Tonnage	3	4	5	6	7.5	10	12.5	15
FLA cool (A)	12 A	13.8 A	17.8 A	20.1 A	20.3 A	25.3 A	32.0 A	42.0 A
FLA heat (A)	15.7 A	20.2 A	20.3 A	29.3 A	25.5 A	31.3 A	40.0 A	45.0 A
Circ. Break Min (A)	43 A	48 A	57 A	53 A	57 A	58 A	80 A	94 A
Circ. Break Max (A)	70 A	80 A	100 A	94 A	100 A	103 A	144 A	168 A
Freon	410A	410A	410A	410A	410A	410A	410A	410A

E-mail: info@galaxymarinedistributors.com
 2303 N U.S. Highway 1, Suite 10
 Fort Pierce, Florida
 USA - 34946
 +1 (772) 971-7767

